

SPECIFICATIONS

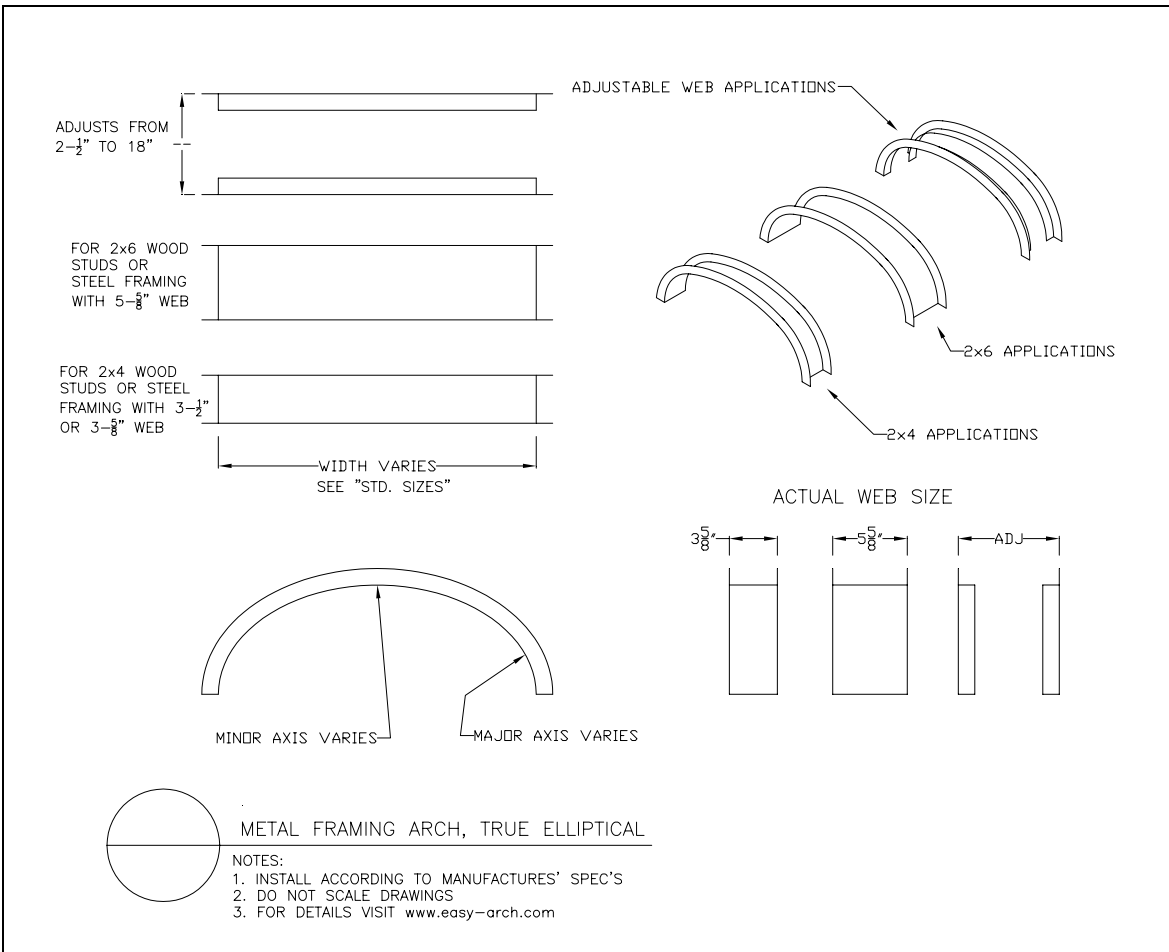
PRE-FORMED FRAMING ARCHES



EASY-ARCH INC
 26900 JEFFERSON AVE.
 MURRIETA CA 92562
 800.854.2461 P
 951.677.2476 F

WWW.EASY-ARCH.COM

TRUE ELLIPTICAL



NOTES:

1. ALL EASY-ARCH PRODUCTS ARE MADE FROM HIGH QUALITY, ASTM A653, STRUCTURAL GRADE 33, HOT-DIPPED GALVANIZED STEEL (COATING DESIGNATION G40).
2. 2 X 4 AND 2 X 6 ARCHES ARE MADE OF 25 GAUGE STEEL AND ADJUSTABLE ARCHES ARE 20 GAUGE.
3. ALL 2 X 4 ARCHES FIT STANDARD 2 X 4 WOOD STUDS OR STEEL FRAMING WITH 3-1/2" OR 3-5/8" WEB.
4. ALL 2 X 6 ARCHES FIT STANDARD 2 X 6 WOOD STUDS OR STEEL FRAMING WITH 5-1/2" WEB.
5. ADJUSTABLE ARCHES ARE RECOMMENDED FOR NON-STANDARD WALL THICKNESS UP TO 1 6".
6. TE AND CR ARCHES CAN BE CUT TO FIT NON-STANDARD WIDTHS (ROUGH OPENING).
7. QC, HC AND EB ARCHES CAN BE CUT TO FIT NON-STANDARD WIDTHS (ROUGH OPENING) BUT THE "RISE" WILL BE ALTERED.
8. CUSTOM SIZES (MADE TO YOUR SPECIFICATIONS: WIDTH, RISE, ETC) ARE AVAILABLE IN QC, HC AND EB ARCHES. SET-UP CHARGES MAY APPLY.
9. ARCHES 5 FEET AND WIDER MAY BE CUT IN HALF FOR SHIPPING PURPOSES.

TRU ELLIPTICAL ARCHES ARE SPECIFIED BY THEIR WIDTH
 STANDARD AVAILABLE SIZES ARE:

2X4	2X6	ADJUSTABLE	MAJOR AXIS	MINOR AXIS (RISE)	WIDTH
TE4-28	TE6-28	TEL-28	16"	11"	32"
TE4-30	TE6-30	TEL-30	18"	14-1/4"	36"
TE4-36	TE6-36	TEL-36	21"	14-7/8"	42"
TE4-40	TE6-40	TEL-40	24"	15-3/8"	48"
TE4-50	TE6-50	TEL-50	30"	20-1/4"	60"
TE4-60	TE6-60	TEL-60	36"	21-1/8"	72"
TE4-70	TE6-70	TEL-70	42"	21-1/4"	84"
TE4-80	TE6-80	TEL-80	48"	22"	96"
TE4-90	TE6-90	TEL-90	54"	22-1/2"	108"
TE4-100	TE6-100	TEL-100	60"	23"	120"

