

SPECIFICATIONS

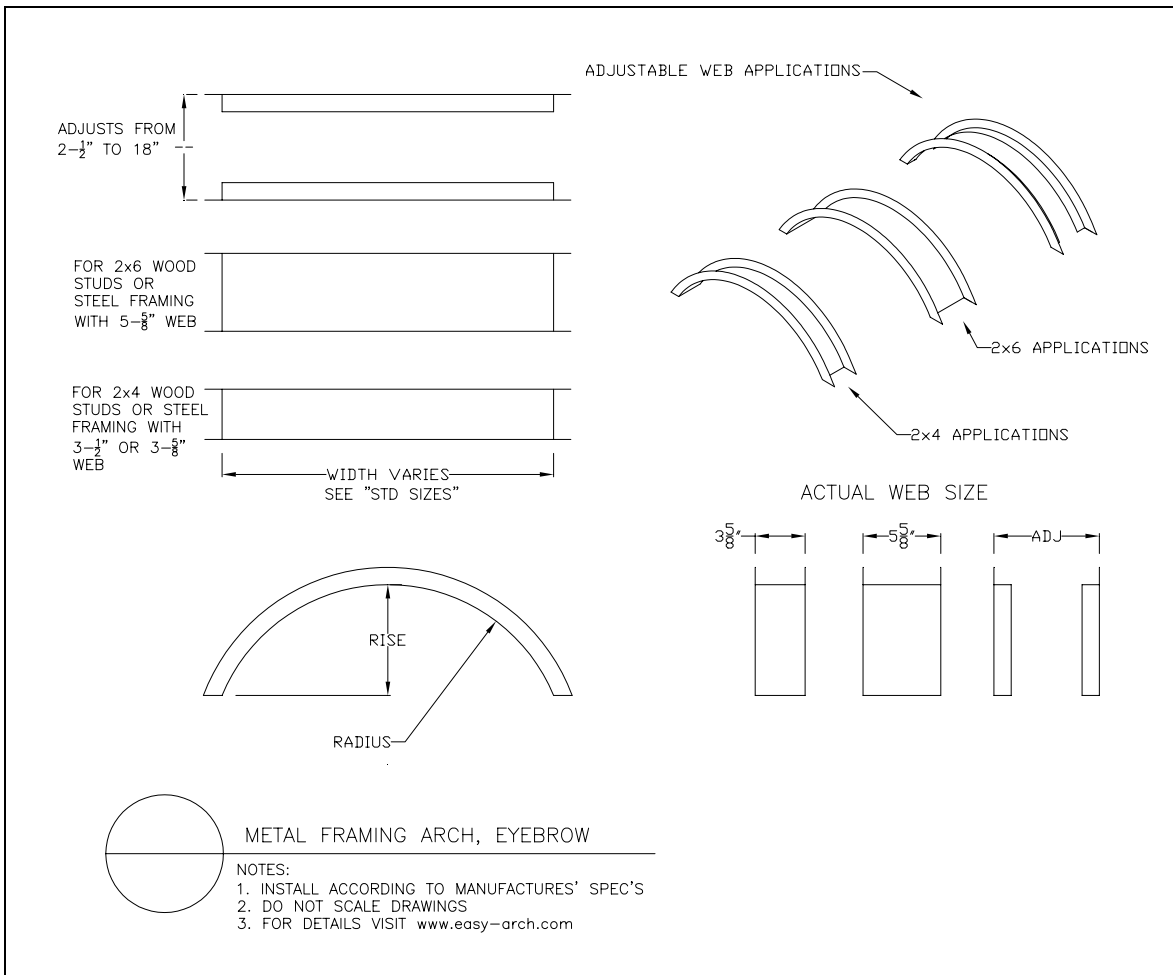
PRE-FORMED FRAMING ARCHES



EASY-ARCH INC
 26900 JEFFERSON AVE.
 MURRIETA CA 92562
 800.854.2461 P
 951.677.2476 F

WWW.EASY-ARCH.COM

EYEBROW



NOTES:

1. ALL EASY-ARCH PRODUCTS ARE MADE FROM HIGH QUALITY, ASTM A653, STRUCTURAL GRADE 33, HOT-DIPPED GALVANIZED STEEL (COATING DESIGNATION G40).
2. 2 X 4 AND 2 X 6 ARCHES ARE MADE OF 25 GAUGE STEEL AND ADJUSTABLE ARCHES ARE 20 GAUGE.
3. ALL 2 X 4 ARCHES FIT STANDARD 2 X 4 WOOD STUDS OR STEEL FRAMING WITH 3-1/2" OR 3-5/8" WEB.
4. ALL 2 X 6 ARCHES FIT STANDARD 2 X 6 WOOD STUDS OR STEEL FRAMING WITH 5-1/2" WEB.
5. ADJUSTABLE ARCHES ARE RECOMMENDED FOR NON-STANDARD WALL THICKNESS UP TO 1 1/2".
6. TE AND CR ARCHES CAN BE CUT TO FIT NON-STANDARD WIDTHS (ROUGH OPENINGS).
7. QC, HC AND EB ARCHES CAN BE CUT TO FIT NON-STANDARD WIDTHS (ROUGH OPENING) BUT THE "RISE" WILL BE ALTERED.
8. CUSTOM SIZES (MADE TO YOUR SPECIFICATIONS: WIDTH, RISE, ETC) ARE AVAILABLE IN QC, HC AND EB ARCHES. SET-UP CHARGES MAY APPLY.
9. ARCHES 5 FEET AND WIDER MAY BE CUT IN HALF FOR SHIPPING PURPOSES.

EYEBROW ARCHES ARE SPECIFIED BY THEIR WIDTH & RISE
 STANDARD AVAILABLE SIZES ARE:

2X4	2X6	ADJUSTABLE	RADIUS	RISE	WIDTH
EB4-30N	EB6-30N	EBL-30N	24-1/4"	8"	36"
EB4-36N	EB6-36N	EBL-36N	31-1/2"	8"	42"
EB4-40N	EB6-40N	EBL-40N	40"	8"	48"
EB4-30	EB6-30	EBL-30	19-1/2"	12"	36"
EB4-36	EB6-36	EBL-36	24-3/8"	12"	42"
EB4-40	EB6-40	EBL-40	30"	12"	48"
EB4-50	EB6-50	EBL-50	43-1/2"	12"	60"
EB4-60	EB6-60	EBL-60	60"	12"	72"
EB4-70	EB6-70	EBL-70	79-1/2"	12"	84"
EB4-80	EB6-80	EBL-80	102"	12"	96"
EB4-90	EB6-90	EBL-90	127-1/2"	12"	108"
EB4-100	EB6-100	EBL-100	156"	12"	120"

