

# SPECIFICATIONS

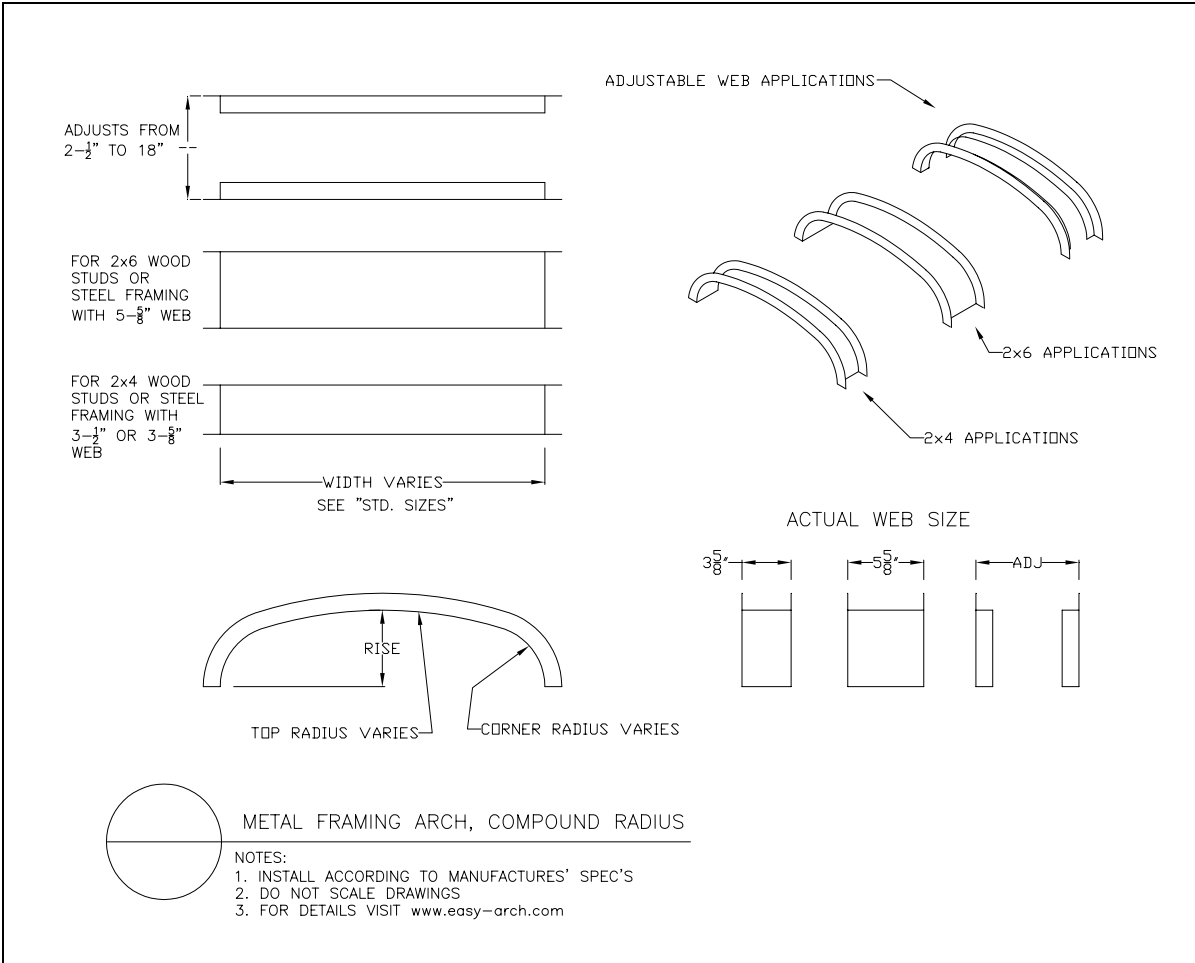
## PRE-FORMED FRAMING ARCHES



**EASY-ARCH INC**  
 26900 JEFFERSON AVE.  
 MURRIETA CA 92562  
 800.854.2461 P  
 951.677.2476 F

[WWW.EASY-ARCH.COM](http://WWW.EASY-ARCH.COM)

### COMPOUND RADIUS



NOTES:

1. ALL EASY-ARCH PRODUCTS ARE MADE FROM HIGH QUALITY, ASTM A653, STRUCTURAL GRADE 33, HOT-DIPPED GALVANIZED STEEL (COATING DESIGNATION G40).
2. 2 X 4 AND 2 X 6 ARCHES ARE MADE OF 25 GAUGE STEEL AND ADJUSTABLE ARCHES ARE 20 GAUGE.
3. ALL 2 X 4 ARCHES FIT STANDARD 2 X 4 WOOD STUDS OR STEEL FRAMING WITH 3-1/2" OR 3-5/8" WEB.
4. ALL 2 X 6 ARCHES FIT STANDARD 2 X 6 WOOD STUDS OR STEEL FRAMING WITH 5-1/2" WEB.
5. ADJUSTABLE ARCHES ARE RECOMMENDED FOR NON-STANDARD WALL THICKNESS UP TO 1 6".
6. TE AND CR ARCHES CAN BE CUT TO FIT NON-STANDARD WOOD STUDS (ROUGH OPENING).
7. QC, HC AND EB ARCHES CAN BE CUT TO FIT NON-STANDARD WOOD STUDS (ROUGH OPENING) BUT THE "RISE" WILL BE ALTERED.
8. CUSTOM SIZES (MADE TO YOUR SPECIFICATIONS: WIDTH, RISE, ETC) ARE AVAILABLE IN QC, HC AND EB ARCHES. SET-UP CHARGES MAY APPLY.
9. ARCHES 5 FEET AND WIDER MAY BE CUT IN HALF FOR SHIPPING PURPOSES.

COMPOUND RADIUS ARCHES ARE SPECIFIED BY THEIR WIDTH  
 STANDARD AVAILABLE SIZES ARE:

2X4	2X6	ADJUSTABLE	TOP RADIUS	CORNER RADI	RISE	WIDTH
CR4-40	CR6-40	CRL-40	60"	9"	10-1/2"	48"
CR4-50	CR6-50	CRL-50	89"	10"	11-1/2"	60"
CR4-60	CR6-60	CRL-60	89"	10"	14-1/2"	72"
CR4-70	CR6-70	CRL-70	113"	10"	15-1/8"	84"
CR4-80	CR6-80	CRL-80	146-1/2"	10"	15-1/2"	96"
CR4-90	CR6-90	CRL-90	213-1/2"	12"	17-1/2"	108"
CR4-100	CR6-100	CRL-100	213-1/2"	12"	18-1/8"	120"
CR4-110	CR6-110	CRL-110	213-1/2"	12"	18-1/2"	132"
CR4-120	CR6-120	CRL-120	213-1/2"	12"	19"	144"

