

INNOVATIVE METAL FRAMING ARCH NOW AVAILABLE AS AN ADJUSTABLE MODEL FOR DEEP OPENINGS

Unconventional framing depths are no match for this versatile, adjustable metal framing arch

Adjustable Easy-Arch is a Patent-Pending metal arch frame that can be adjusted with our adjustable brackets (sold separately) to fit nearly any opening from 2.5 inches to 18 inches in depth. The adjustable brackets can simply be replaced by 2x4 studs to fill the space between the two angles. This makes constructing arches in unconventional framing depths possible without the need for expensive on-site fabricating.

Adjustable Easy-Arch is made from pre-formed 20-gauge steel. The adjustable support arms easily slide to length for simple, yet precise, placement. Adjustable Easy-Arch offers spans in rough openings from 24 to 144 inches. Adjustable Easy-Arch is so versatile it can even be used with pocket door framing and Concrete Form construction.

Like all Easy-Arch metal framing arches, Adjustable models are offered in five different arch styles –

- **90° Quarter Circle**
- **180° Half Circle**
- **Eyebrow**
- **Tru-Elliptical**
- **Compound Radius**

for various design possibilities.



EASY ARCH

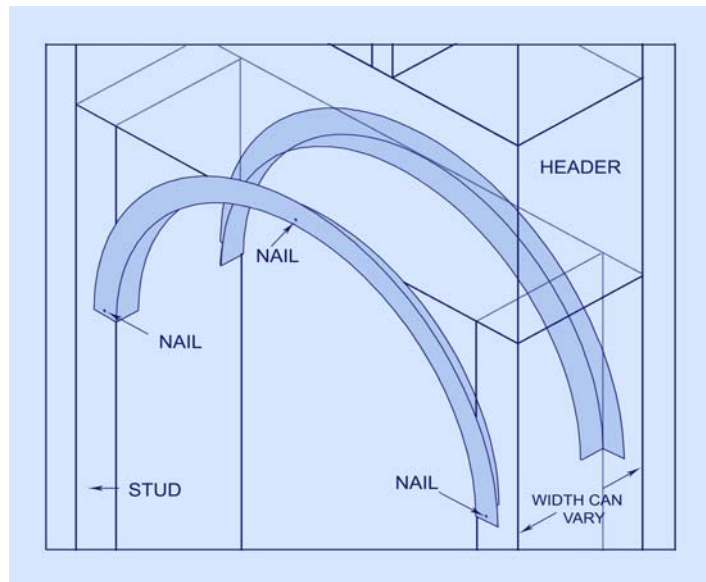
Metal Framing Arch

Easy-Arch, Inc.

26900 Jefferson Ave.

Murrieta, CA 92562

info@Easy-Arch.com



To locate an Easy-Arch dealer, visit www.Easy-Arch.com or call 1.800.854.2461