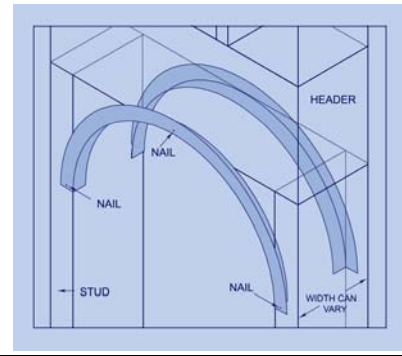


BRACKETS SHOWN,
SOLD SEPARATELY



Installation Instructions for adjustable Easy-Arch

1. Measure the width of the opening and mark center of the frame.
2. Center one side of adjustable arch to the framed opening.
3. Nail or screw in with drywall screw at the top. If nail or screw does not penetrate arch easily, drill pilot hole in metal arch.
4. Nail or screw in both end of the legs.
5. If adjustable arch is delivered in 2 pieces, mark center of the opening and butt two sides together at the top. Nail or screw in both sides making sure both sides are even.
6. Align the opposite side and do the same.
7. If necessary, attach brackets to connect the two sides and screw them on using self-tapping screws. Pilot holes will be required for this operation.
8. Cover the front side with drywall.
9. Use router or saw to shave off drywall from the opening by using adjustable arch as a guide.
10. Do the same on the other side.
11. Measure the depth of the wall (including the drywall) and cut a strip of $\frac{1}{4}$ inch drywall to the measurement.
12. Slowly contour drywall to the inner side of the arch and screw on using drywall screws.
13. Attach corner bead on both edges of the arch.

For more questions, please call 1-800-854-2461 or visit: www.easy-arch.com